



Electrolux
PROFESSIONAL

**Modular Cooking Range Line
900XP Gas Automatic Pasta
Cooker 150 litres 2 Wells**

ITEM # _____

MODEL # _____

NAME # _____

SIS # _____

AIA # _____



391114 (E9PCGP2RF0)

Automatic Pasta Cooker -
direct gas 2x150lt with
2x15kg tilting baskets

Short Form Specification

Item No. _____

High efficiency 46 kW burners. Suitable for natural gas or LPG. Constant water level refill and water topping up. The 150 liter tanks are pressed in 316-L type stainless steel and feature only rounded corners. Adjustable stainless steel feet, 50 mm in height. Body and base of unit entirely in stainless steel. Heavy duty stainless steel internal frame. Insulated lid and counter-balancing springs to simplify use.

Main Features

- High productivity and quality thanks to the high thermal efficiency and automatic cooking time control.
- Water basins fitted with overflow pipe to eliminate foam.
- Large drainage tap is provided on which baskets can be placed for draining purposes.
- 150 liters water basins in 316-L AISI Stainless Steel.
- Constant water level refill.
- Automatic water topping.
- Automatic ignition when water reaches minimum level and probe with electrovalve to protect from overheating in case of water absence.
- Digital timer guarantees precise settings of cooking parameters.
- Simple and functional control panel.
- The special design of the control knob system guarantees against water infiltration.
- Elevating basket is automatically tilted at the end of the cooking cycle.
- Combustion chamber and load bearing frame in stainless steel.
- Burners in stainless steel with pilot light, safety valve and flame failure device.
- Piezo spark ignition with thermocouple for added safety.
- Heavy duty internal frame in Stainless steel and external panelling with satin finish.
- IPX5 water protection.

Optional Accessories

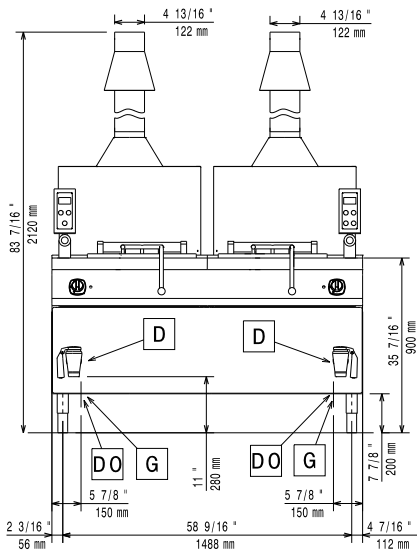
- Draught diverter, 150 mm diameter PNC 206132
- Matching ring for flue condenser, 150 mm diameter PNC 206133
- Frontal kicking strip for concrete installation, 1600mm PNC 206152
- Frontal kicking strip, 1600mm (not for refr-freezer base) PNC 206179
- Pair of side kicking strips (not for refr-freezer base) PNC 206180
- 2 side covering panels for free standing appliances PNC 216134
- Pair of side kicking strips for refr-freezer base PNC 880221
- Trolley with lifting & removable tank PNC 922403

APPROVAL: _____

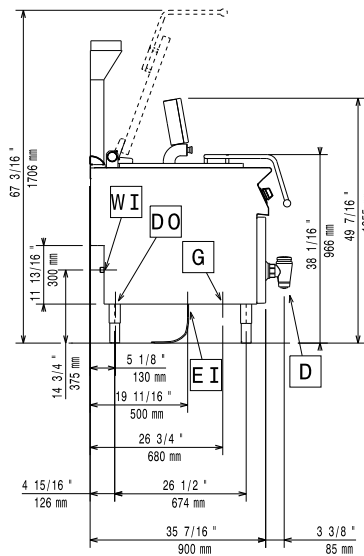


Experience the Excellence
www.electroluxprofessional.com

Front

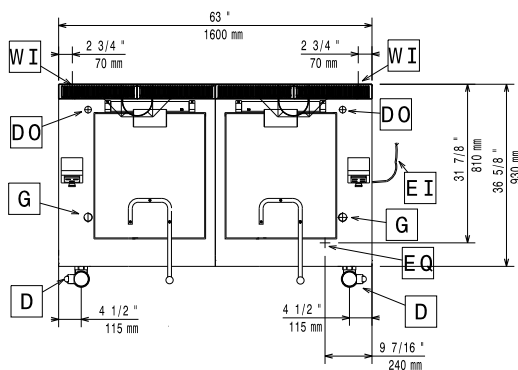


Side



D = Drain
 EI = Electrical inlet (power)
 EQ = Equipotential screw
 G = Gas connection
 WI = Water inlet

Top



Gas

Gas Power:
 391114 (E9PCGP2RF0) 46 kW
Standard gas delivery: Natural Gas G20 (20mbar)
Gas Type Option: LPG; Natural Gas
Gas Inlet: 3/4"

Water:

Drain "D": 2"
Incoming Cold/hot Water line size: 3/4"
Total hardness: 5-50 ppm
Electrolux Professional recommends the use of treated water, based on testing of specific water conditions. Please refer to user manual for detailed water quality information.

Key Information:

Number of wells: 2
Usable well dimensions (width): 625 mm
Usable well dimensions (height): 410 mm
Usable well dimensions (depth): 640 mm
Well Capacity (MAX): 150 lt MAX
Net weight: 337 kg
Shipping weight: 318 kg
Shipping height: 1060 mm
Shipping width: 1800 mm
Shipping depth: 1100 mm
Shipping volume: 2.1 m³
Certification group: GGPC30

If appliance is set up or next to or against temperature sensitive furniture or similar, a safety gap of approximately 150 mm should be maintained or some form of heat insulation fitted.